



QUICK RACE TUNING W. LASHING EYE

STAINLESS STEEL - AISI 316

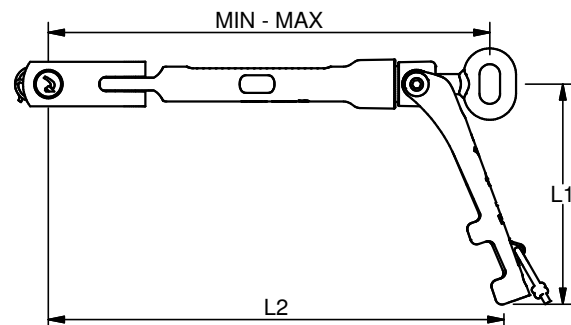
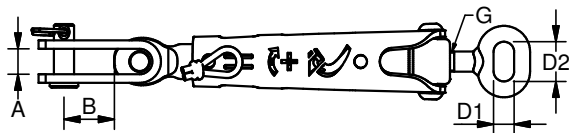
NEW

QRT TURNBUCKLE FOR ROPE

- Laser engraved calibration scale for precise adjustment
- Handle for one end quick adjustment and easy locking
- AISI 316 stainless steel body and lashing eye with chromed bronze nut
- 1/4" and 5/16" threads
- 1300 - 2200 kg break load
- Recommended rope sizes 3 and 4



ART. NO.	G	PIN	A	B	D1	D2	L1	L2	MIN - MAX	BL/KG	KG/100	PACK
RPQT1906A	1/4"	6,35	8	16	6,5	12,5	69	144	139 - 179	1300	14,6	BULK
RPQT1908A	5/16"	8	10	20	7,5	14,5	77	175	162 - 212	2200	24,3	BULK



Note: The nut is to be used as a level indicator and not as a stop nut. Do not use any force when the nut has reached the edge at level 0; it will cause the nut to break off.